

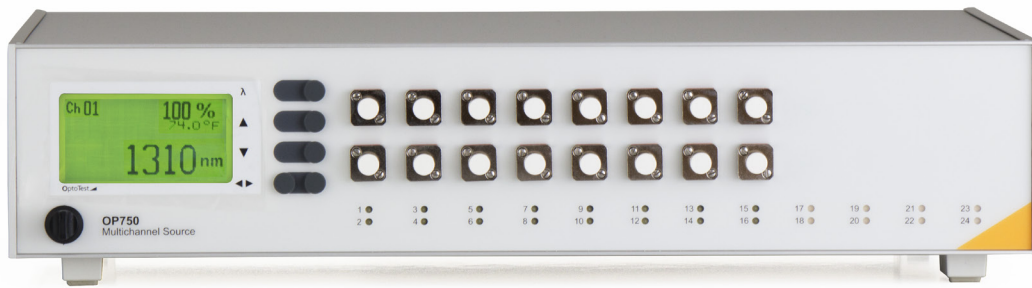
# OP750

## Multichannel Source

### Overview

#### Multichannel Source

The **OP750** multichannel source can be configured with a mix of up to 24 individual or switched LED or LASER sources. Single wavelength LED source, available in 850nm or 1300nm, features an internal large core fiber to guarantee an overfill condition for 62.5/125µm or 50/125µm multimode fiber. The single wavelength sources at 1310nm and 1550nm are terminated with standard 9/125µm fiber. A dual wavelength option, such as 1310nm and 1550nm, into a single port is available as well (12 channel version only). To create dual wavelength operation on any channel, an optical switch can be added to the configuration, and represent a great cost savings.



Model OP750 Multichannel Source

### Features

#### Multichannel LED Source

- Up to 24 LED sources in one rack
- Factory configurable wavelength mix, including 650nm, 850nm, and 1300nm
- Adjustable power level from 0% to 100% either through front panel or USB port
- Controlled launch condition, customer specific, Encircled Flux (EF) available
- Dual wavelength operation with optional internal 1xN precision optical switch
- Support of most common connector options (FC/PC, ST/PC, SC/PC, etc)

#### Multichannel LASER Source

- Up to 24 LASER sources in a single rack or up to 12 dual wavelength (1310/1550) sources
- Factory configurable wavelength mix, including 1310nm, 1490nm, 1550nm, 1625nm, and 850nm VCSEL
- Adjustable power level up to 10dBm (depending on laser) either through front panel or USB port
- Cost effective solution with optional, highly repeatable built-in optical switch
- Support of most common connector options (FC, ST, SC, LC, etc...)

# OP750

## Multichannel Source

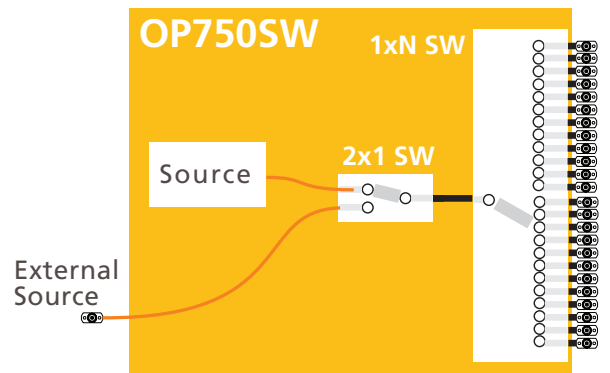
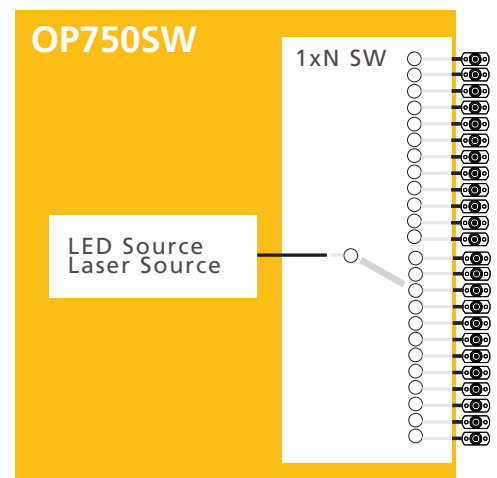
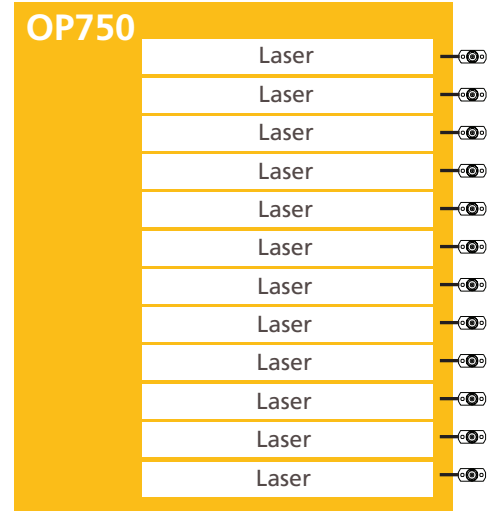
### Configurations

#### Multichannel Source Standard Configuration

For best stability and measurement speed each channel is equipped with a dedicated source (Laser or LED). With this option, it is still possible to have each port configured for dual wavelength operation.

#### Multichannel Source with Internal Optical Switch

For high channel counts or certain types of sources, the option of an internal precision optical switch is an economical solution.



Note: Additional options such as an internal source bypass switch or other custom solutions are available as well.